

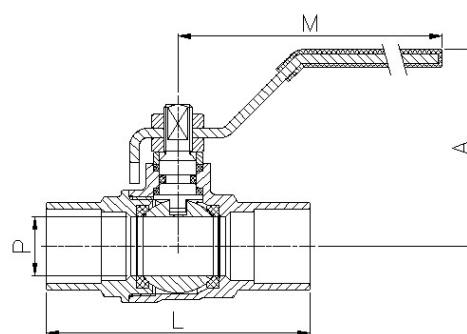
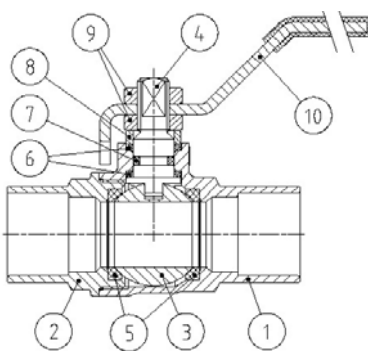
Art.: 3081 Válvula de Esfera para Soldar Welding Ball Valve

Características

1. Construcción en latón s/ UNE-EN 12165.
2. Extremos para soldar a tubería de cobre.
3. Accionamiento mediante palanca.
4. Temperatura de trabajo desde -20°C a 90°C.
5. Presión máxima de trabajo 16 bar (PN 16).

Features

1. Brass construction as UNE-EN 12165.
2. Copper welded ends
3. Working by means of lever handle.
4. Working temperature from -20°C to 90°C.
5. Maximum working pressure 16 bar (PN 16).



| Nº | Denominación / Name | Material | Acabado Superficial / Surface Treatment |
|----|----------------------------|------------------------|-----------------------------------------|
| 1 | Cuerpo / Body | Latón / Brass (CW617N) | Granallado / Peened |
| 2 | Tapa / Cap | Latón / Brass (CW617N) | Granallado / Peened |
| 3 | Esfera / Ball | Latón / Brass (CW617N) | Cromado / Chromed |
| 4 | Eje / Stem | Latón / Brass (CW617N) | Cromado / Chromed |
| 5 | Asientos / Ball seats | PTFE | - |
| 6 | Anillo prensa/Stem packing | PTFE | - |
| 7 | Tórica / O-Ring | NBR | - |
| 8 | Anillo prensa / Stem ring | Latón / Brass | Cromado / Chromed |
| 9 | Tuerca / Nut | Latón / Brass | Cromado / Chromed |
| 10 | Maneta / Handle | Acero / Steel | Cromado / Chromed |

| Ref. | Medida / Size | DN | Dimensiones / Dimensions (mm) | | | | Peso / Weight (g) |
|---------|---------------|----|-------------------------------|----|-----|-----|-------------------|
| | | | P | A | L | M | |
| 3081 15 | Ø 15 | 12 | 12 | 46 | 57 | 84 | 135 |
| 3081 18 | Ø 18 | 15 | 14 | 47 | 64 | 84 | 165 |
| 3081 22 | Ø 22 | 20 | 19 | 58 | 72 | 98 | 265 |
| 3081 28 | Ø 28 | 25 | 24 | 61 | 85 | 98 | 380 |
| 3081 35 | Ø 35 | 32 | 30 | 75 | 96 | 135 | 825 |
| 3081 42 | Ø 42 | 40 | 38 | 80 | 115 | 135 | 1170 |
| 3081 54 | Ø 54 | 50 | 47 | 90 | 140 | 165 | 1850 |