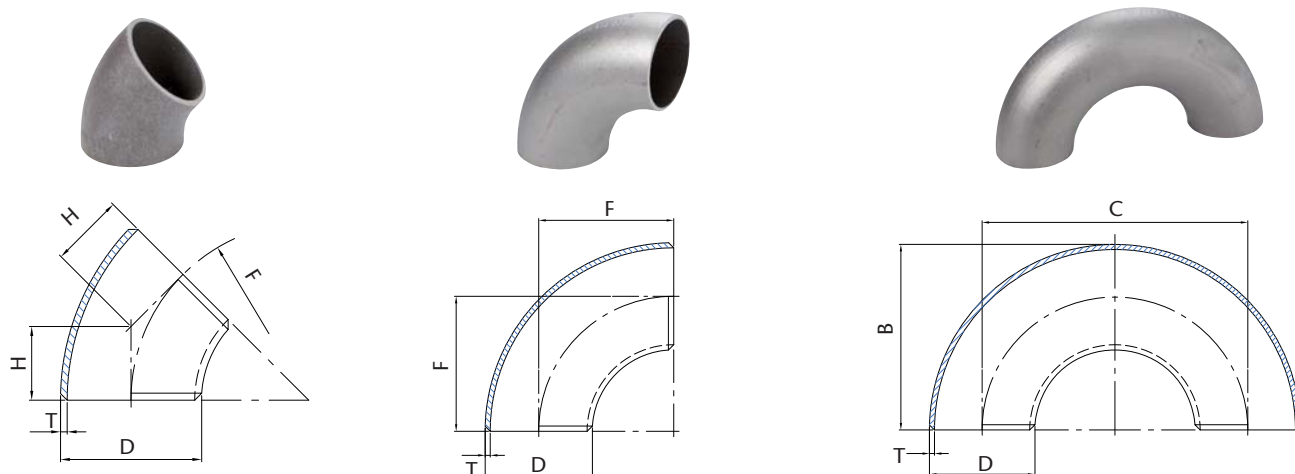


4.3. DIMENSIONES y TOLERANCIAS DIMENSIONALES

4.3.1. DIMENSIONES (EN 10253-1)

Serie 3D (Curvas a 45°, 90° y 180°)



CÓDIGOS			DESIGNACIÓN		Curvas 3D (45°, 90°, 180°)						
45°	90°	180°	Tamaño	DN	D (mm)	T (mm)	H (mm)	F (mm)	C (mm)	B (mm)	
					Diámetro Externo	Espesor pared	Cara-Centro	Radio	Centro-Centro	Altura	
C3450021	C3XXXX21	C3180021	1/2"	15	21,3	2,0	12	29,0	56	38	
C3450027	C3XXXX27	C3180027	3/4"	20	26,9	2,3	12	29,0	57	43	
-----	C3XXXX30	-----			30,0	*	14	33,5	66	48	
C3450033	C3XXXX33	C3180033	1"	25	33,7	2,6	16	38,0	76	56	
-----	C3XXXX38	-----			38,0	2,6	19	45,0	90	64	
C3450042	C3XXXX42	C3180042	1 1/4"	32	42,4	2,6	20	48,0	95	70	
-----	C3XXXX44	-----			44,5	2,6	22	51,0	102	73	
C3450048	C3XXXX48	C3180048	1 1/2"	40	48,3	2,6	24	57,0	114	83	
-----	C3XXXX51	-----			51,0	*	26	63,5	125	88	
-----	C3XXXX54	-----			54,0	2,6	28	68,5	137	95	
-----	C3XXXX57	-----			57,0	2,9	29	72,0	144	100	
C3450060	C3XXXX60	C3180060	2"	50	60,3	2,9	35	76,0	152	106	
-----	C3XXXX70	-----			70,0	2,9	38	92,0	184	127	
C3450076	C3XXXX76	C3180076	2 1/2"	65	76,1	2,9	44	95,0	191	132	
C3450089	C3XXXX89	C3180089	3"	80	88,9	3,2	47	114,0	229	159	
C3450101	C3XXX101	C3180101	3 1/2"	90	101,6	3,6	55	133,0	267	184	
-----	C3XXX108	-----			108,0	3,6	58	142,5	285	196	
C3450114	C3XXX114	C3180114	4"	100	114,3	3,6	63	152,0	305	210	
-----	C3XXX133	-----			133,0	4,0	75	181,0	362	247	
C3450139	C3XXX139	C3180139	5"	125	139,7	4,0	79	190,0	381	262	
-----	C3XXX159	-----			159,0	4,5	90	216,0	432	295	
C3450168	C3XXX168	C3180168	6"	150	168,3	4,5	95	229,0	457	313	
C3450193	C3XXX193	-----	7"	175	193,7	5,6	112	270,0	540	367	
C3450219	C3XXX219	-----	8"	200	219,1	6,3	127	305,0	610	414	
-----	C3XXX244	-----			244,5	6,3	141	340,0	680	462	
C3450273	C3XXX273	-----	10"	250	273,0	6,3	159	381,0	762	518	
-----	C3XXX324	-----	12"	300	323,9	7,1	190	457,0	914	619	
-----	C3XXX355	-----	14"	350	355,6	8,0	222	533,0	1067	711	
-----	C3XXX406	-----	16"	400	406,4	8,8	254	610,0	1219	813	
-----	C3XXX457	-----	18"	450	457,2	*	284	686,0	1371	914	
-----	C3XXX508	-----	20"	500	508,0	*	316	762,0	1524	1016	
-----	C3XXX609	-----	24"	600	609,6	*	379	914,0	1828	1219	